














## Load Curves

115ft 													ft
	39	46	52	59	67	72	78	85	91	98	105	111	
105ft 													ft
	42	46	52	59	65	72	78	85	91	98	105		
94ft 													ft
	44	46	52	59	65	72	76	79	85	94			
8800lbs	8800	7100	5900	5000	4400	4000	3500	3200	2900	2600	2400	2200	2200
	8800	7800	6500	5500	4800	4400	3900	3500	3200	2900	2700		
8800lbs	8800	8400	7000	5900	5200	4600	4400	4200	3800	3300			
	8800lbs - Max.						Inclined Jib 2200lbs - Max.						



## Speed of Mechanisms

HOISTING		ft/min.	19.7	78.7	157.5	9.8	39.4	78.7
		lbs	4400	4400	2860	8800	8800	5730
		CV-PS hp	3	12	14	3	12	24
		kW	2.2	8.8	10.3	2.2	8.8	10.3
TROLLEYING		ft/min.	CV-PS hp		kW			
		66/40	1,5/3		1,1/2,2			
SLEWING		0,2-1,1 tr/min - u/min rpm - g/min	6/16 kgm		4.5			
MAINS ELECTRICITY		480V (+6%-10%) @ 60Hz			GENERATOR	Contact Mantis		
KVA		23KVA						



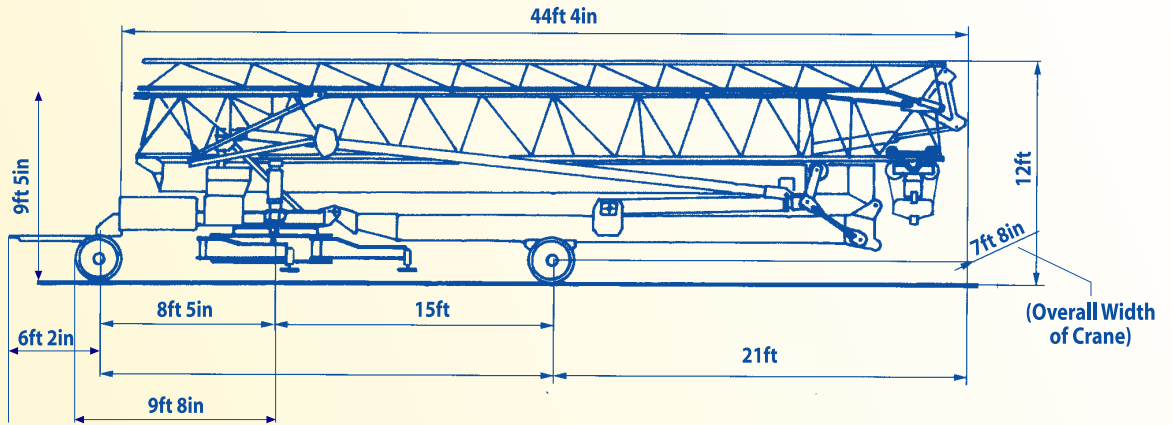
## Weights

Dead Weight without Transport Axles & Permanent Ballast	31,300lbs	BALLAST WEIGHTS	
Dead Weight with Transport Axles & 4,000kg Permanent Ballast	41,890lbs	12 No. @ 3,900 lbs	46,800 lbs
		1 No. @ 8,800 lbs - Permanent	8,800 lbs
		Total	55,600 lbs

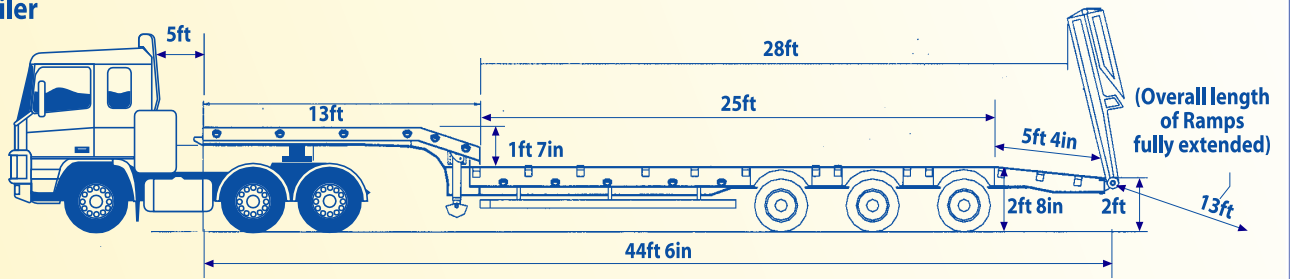


# Mode of Transport

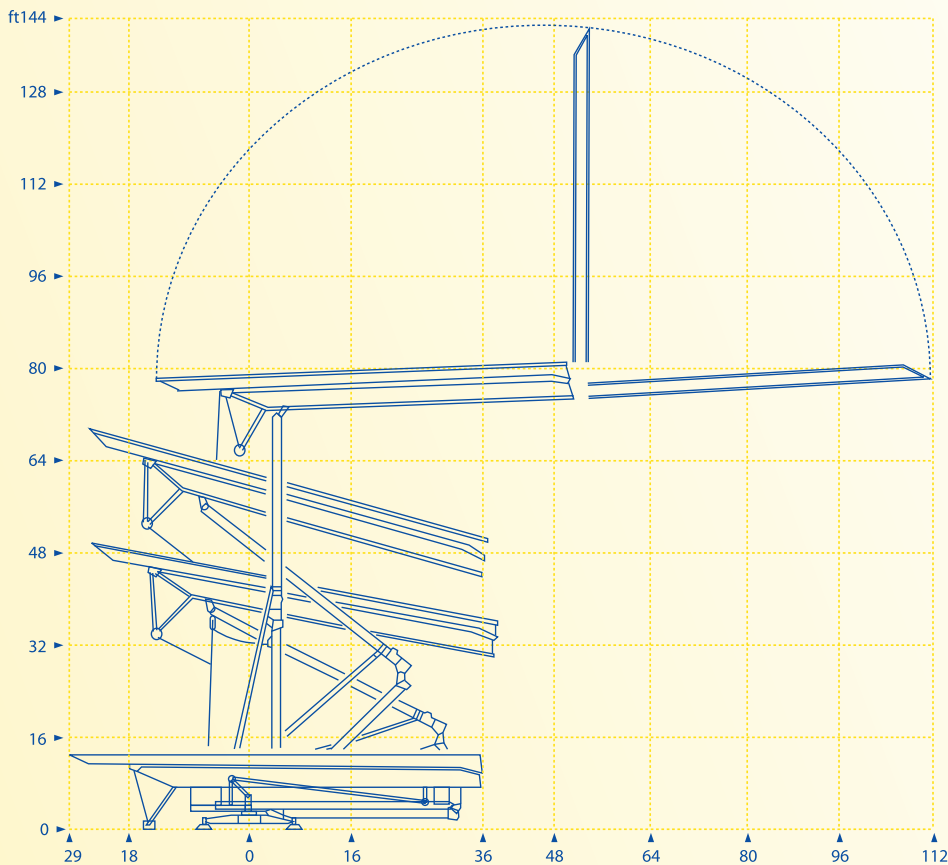
## Site Axles



## Suitable Low Loader Trailer



# Erection Schematic





## On-site materials handling for the 21st Century



**Head Office**  
Killygordon  
Co. Donegal  
Ireland

**Tel: +353 74 9149981**

**Fax: +353 74 9149932**

**Email: [info@mantiscranes.ie](mailto:info@mantiscranes.ie)**

**www.mantiscranes.ie**

**UK Office**

Unit 11  
Brockwell Court  
Low Willington Industrial Estate  
Crook

**Co. Durham DL15 0UT**

**Lo Call: 0845 3098158**

**Tel/Fax: 01388 748 962**

**E-Mail: [info@mantiscranes.ie](mailto:info@mantiscranes.ie)**

**Web: [www.mantiscranes.ie](http://www.mantiscranes.ie)**

This commercial document is not legally binding. Changes may be made to the content without any notification.

**'The People who Build the Cranes'**